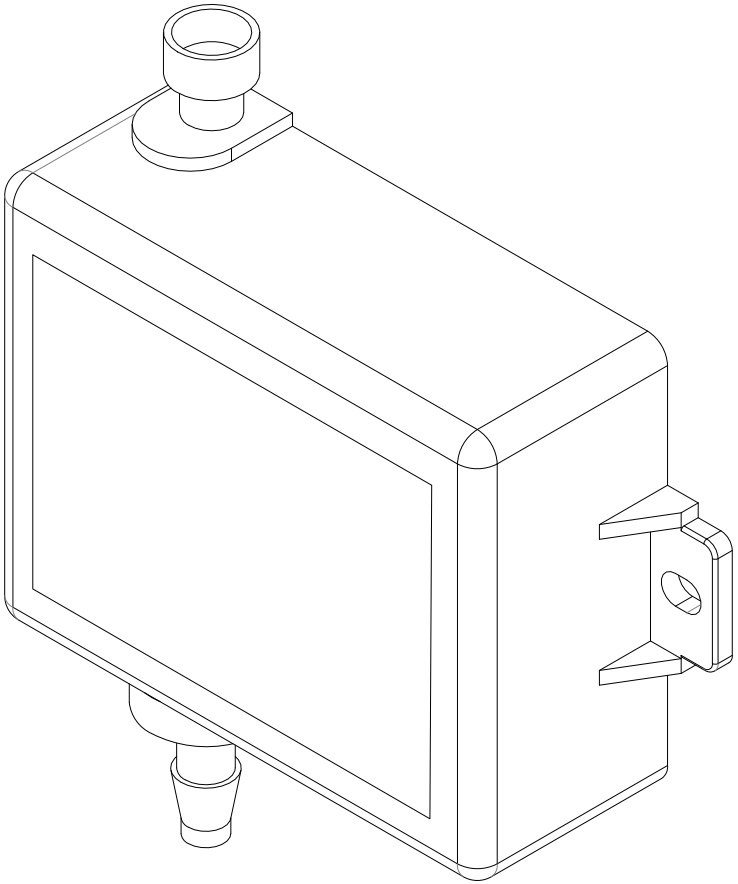




# DEL OZONE® SPA

## INSTALLATION INSTRUCTIONS & PRODUCT MANUAL



### THE COMPLETE MODERN SPA® C-M-P.COM/SPA-SANITIZERS

**IMPORTANT SAFETY INFORMATION: READ AND FOLLOW ALL INSTRUCTIONS**

Save these instructions. Leave manual with homeowner after installation. Improper installation, adjustment, alteration, service, or lack of maintenance can cause injury or property damage. Read the installation, operating, & maintenance instructions thoroughly before installing or servicing this equipment.

# IMPORTANT SAFETY INSTRUCTIONS

## READ AND FOLLOW ALL INSTRUCTIONS

Read this manual completely before attempting installation. All permanent electrical connections should be made by a qualified electrician. Follow all applicable electrical codes.

**⚠ DANGER** Be sure the electrical power is shut OFF at the main circuit breaker before installing the DEL Ozone® Spa.

**NOTICE** If the DEL Ozone® Spa electrical connection is to be attached to the spa controls, be sure the spa controls are protected by a Ground Fault Circuit Interrupter (G.F.C.I.). If the DEL Ozone® Spa is connected to an independent electrical supply, then a G.F.C.I. must be installed between the DEL Ozone® Spa and the electrical supply.

**⚠ WARNING** To reduce the risk of electrical shock, if the power cord is damaged, replace the entire unit immediately.

**NOTICE** The DEL Ozone® Spa must be mounted indoors or sheltered, under a cover, from natural elements (rain, sun, sprinklers). Mount the DEL Ozone® Spa so that it is inaccessible to anyone in the spa.

**NOTICE** Plastic ozone supply tubing is available with the DEL Ozone® Spa. Never replace this tubing with metal tubing.

**⚠ CAUTION** Do not operate the DEL Ozone® Spa unless sufficient air flow is being drawn through the unit.

**⚠ WARNING** Short term inhalation of high concentrations of ozone and long term inhalations of low concentrations of ozone can cause harmful physiological effects. Do not inhale ozone gas produced by this device.

**SAVE THESE INSTRUCTIONS!**

# TABLE OF CONTENTS

## SECTION 1 Installation

1. Overview .....	2
2. Mounting.....	2
3. Plumbing .....	2
4. Electrical.....	3
5. Operation.....	3

## SECTION 2 Maintenance

6. System Maintenance .....	3
-----------------------------	---

<b>SUPPORT</b> .....	6
----------------------	---

## DIAGRAMS SHOWN IN THESE INSTRUCTIONS

*page 2.....DEL OZONE® TYPICAL MIXING SYSTEM*

*page 5.....DEL OZONE® SPA MOUNTING & CONNECTIONS*

# SECTION 1 Installation

## 1. Overview

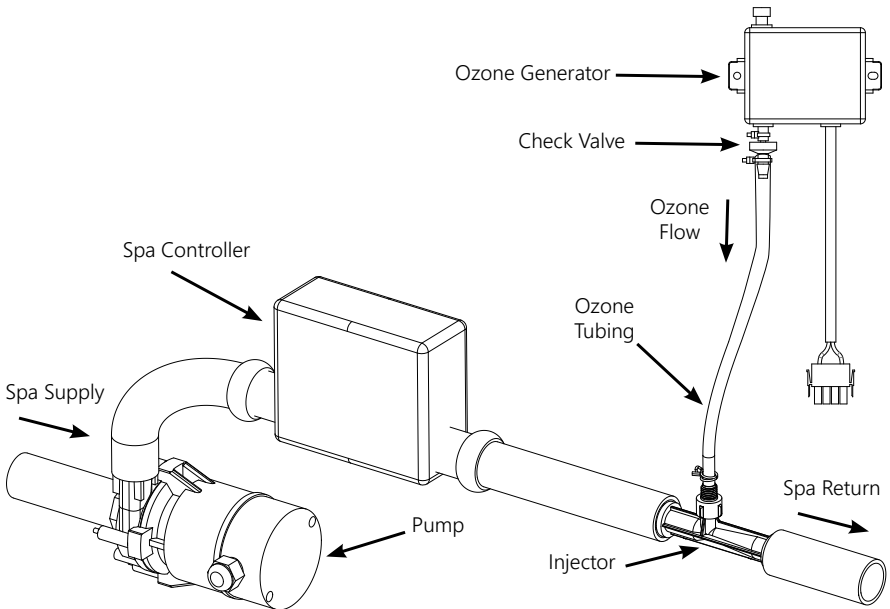
Achieve The Complete Modern Spa® by choosing sanitizing components that work together, creating the best possible installation. The DEL Ozone Spa is a high-end, modern ozone product for spas. The unit is compact, completely self-contained and easy to install.

## 2. Mounting

- a. The DEL Ozone Spa must be mounted horizontally with ozone tubing connection pointing down. Use both mounting flanges.
- b. Mount as high as possible within the protected equipment area.

## 3A. Plumbing - DEL Mixing System

- a. For optimal dissolution of ozone into the water, install the DEL mixing system in the water circulation line as generally shown in Figure 1.



**Figure 1: DEL Ozone Typical Mixing System**

- b. For other circulation systems, CMP provides a wide range of installation kits. Contact Customer Service for assistance.

## SECTION 2 Maintenance

### 3B. Plumbing - Ozone Generator

- a. Connect ozone compatible tubing (1/4" internal diameter) to the check valve on the DEL Ozone Spa.
- b. Run tubing to the ozone injector or appropriate vacuum source.
  - i. If the ozone generator is mounted above the water line, tubing may be run directly to the vacuum source.
  - ii. If ozone generator is mounted below the water line, run tubing to a point above the water line and back down to the vacuum source.
- c. Secure all tubing connections with hose clamps.

### 4. Electrical

- a. Verify that there is no power to the spa and connect the DEL Ozone Spa cord into the mating connector(s) on the spa control box.
- b. Where possible, route the DEL Ozone Spa power cord away from other electrical lines. Avoid routing the power cord parallel to any low-voltage signal wires.

### 5. Operation

- a. With the spa filled to the proper level, run the spa controller through several cycles.
  - i. Verify that the green light on the DEL Ozone Spa turns on and off as required by the controller.
  - ii. Verify that gas is flowing into the injector (there should be no water in the tubing and very small bubbles at the return).
  - iii. Verify that water does not push past the check valve during any spa cycle.
  - iv. Check for and correct any leaks in the ozone tubing.

### 6. System Maintenance

- a. Ordering Information:  
To locate the dealer nearest you call 1-800-733-9060

Be prepared with the following information:


- Name
- Address
- Model #
- Date Purchased
- Dealer Name

## SECTION 2 Maintenance

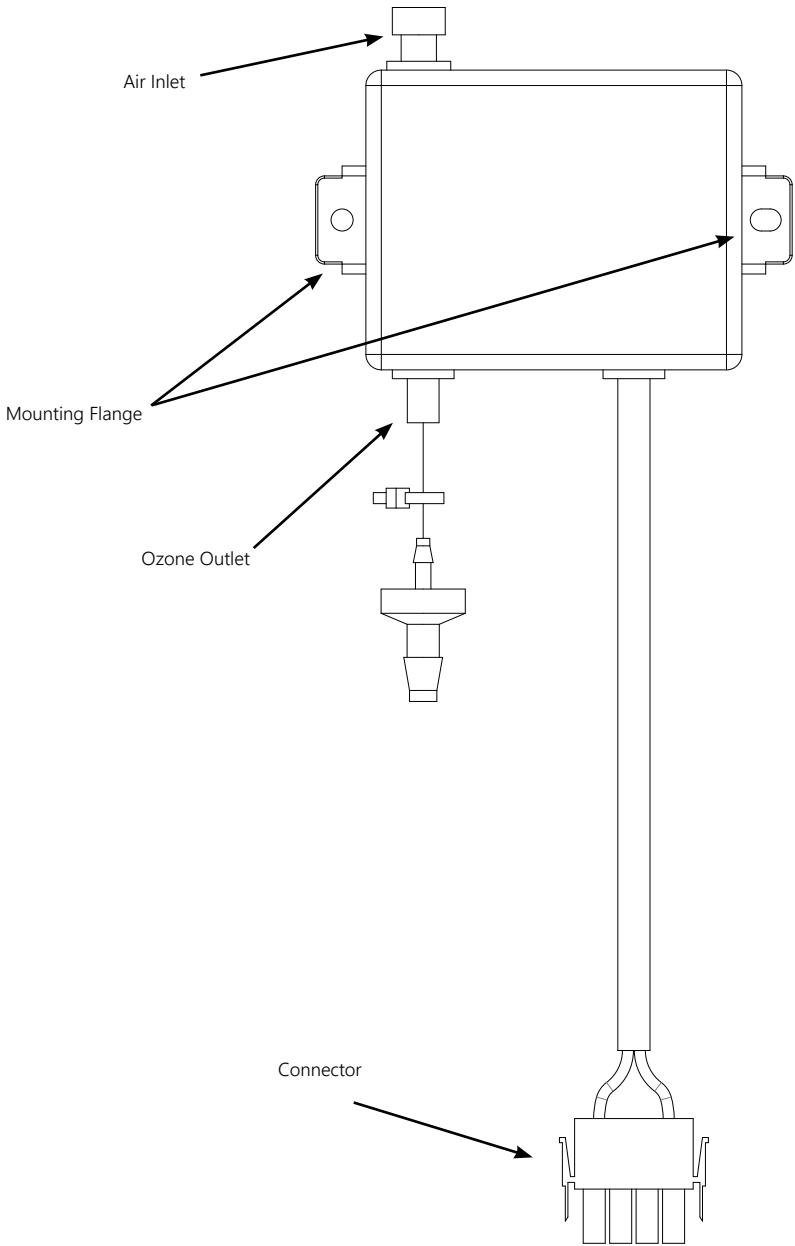
- b. Standard Replacement Parts List:
  - Ozone Check Valve (7-2108-01)
  - Ozone Tubing (7-0075)

The ozone check valve and tubing should be replaced annually.

- c. Regularly inspect ozone supply tubing for cracks or wear. Also check to make sure no water is present between the check valve and the ozone generator. This indicates check valve failure. Replace the ozone check valve and tubing immediately.

 **WARNING** Trace amounts of nitric acid may be present in the check valve or tubing and could be mildly corrosive. If condensation is present shut off the ozone generator and allow the moisture to be drawn out or dried up prior to servicing.

# MOUNTING & CONNECTION DIAGRAM



**Figure 2: DEL Ozone Spa Mounting & Connections**

**SAVE THESE INSTRUCTIONS**

**Record Information on this System Below & Keep for Your Records**

Installer \_\_\_\_\_

System Purchased From \_\_\_\_\_

Installation Date \_\_\_\_\_

Serial Number \_\_\_\_\_

Model Number \_\_\_\_\_

**CMP Customer Service & Tech Support**

Toll Free: 1-800-733-9060

FAX: 770-632-7115

support@c-m-p.com

**Warranty Questions**

RMA@c-m-p.com



# NOTES

---

---

---

---

---

---

---

---

---

---

---

---

---

---

---

---

---

---

---

---

---

---

---

---

---

---

---

---

---

---

CMP, LLC  
36 HERRING ROAD, NEWNAN, GA 30265  
[WWW.C-M-P.COM/DEL](http://WWW.C-M-P.COM/DEL)

0521ab